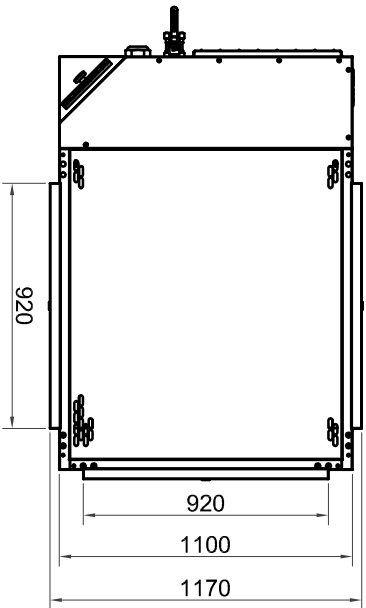
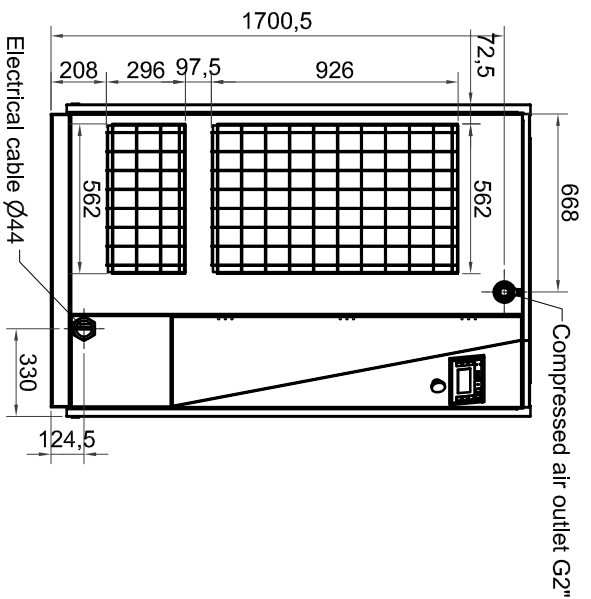
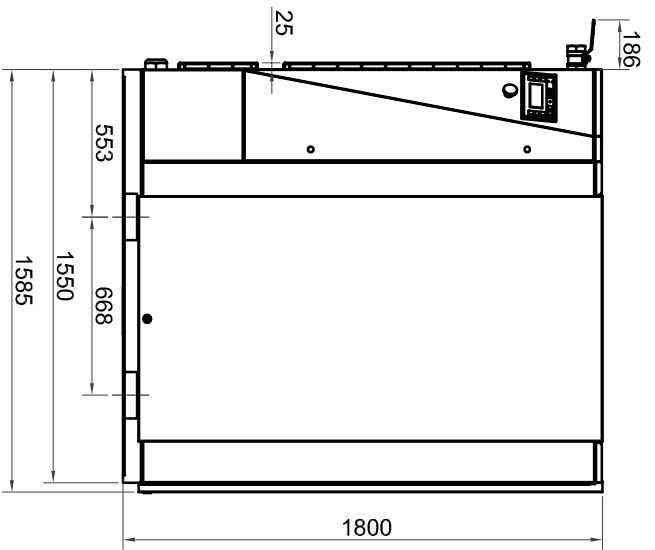


This document is our property and shall not without our permission be altered, copied, used for manufacturing or communicated to any other person or company.



Model	Weight(kg)
Formula 55	1180
Formula 75	1260

All materials supplied are in compliance with the requirements of the List of Prohibited Substances

Note	Position	Modified from	Date	Int./Appd.	Parent 3D model	Ed. / Version 3D
00					9829236194	

Tolerances: If not indicated, according to:		ATLAS COPCO STANDARD /Klassen/CLASS	
Name Dimension Drawing Formula 55-75			
Material			
Treatment			
Scale	1:18	Family	A3 Compare
Drawn by	CNZ0508	Blank nr.	Replaces
Version Dwg		Kg	Fin. wt.
Des. gzd./Dtc.		Prod. gzd./Dtc.	
Desig./Appd.		Date	2010-10-30
STATUS		PRELIMINARY	
Blad/Sheet		9829236194	
Drawing owner		CNZ	
Serijski Klas		INV	
1/02/K/ 2			
01 / 01			

