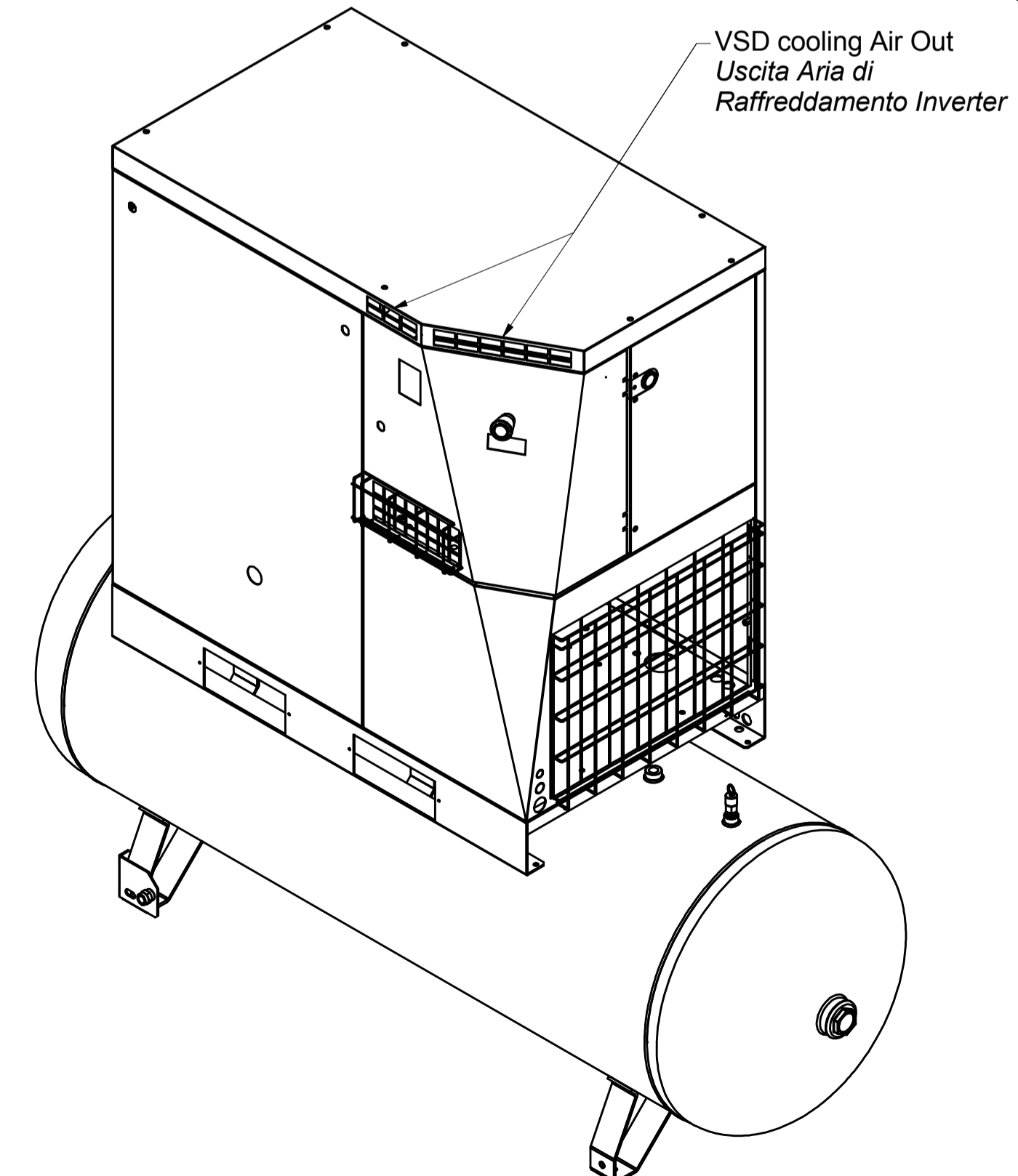
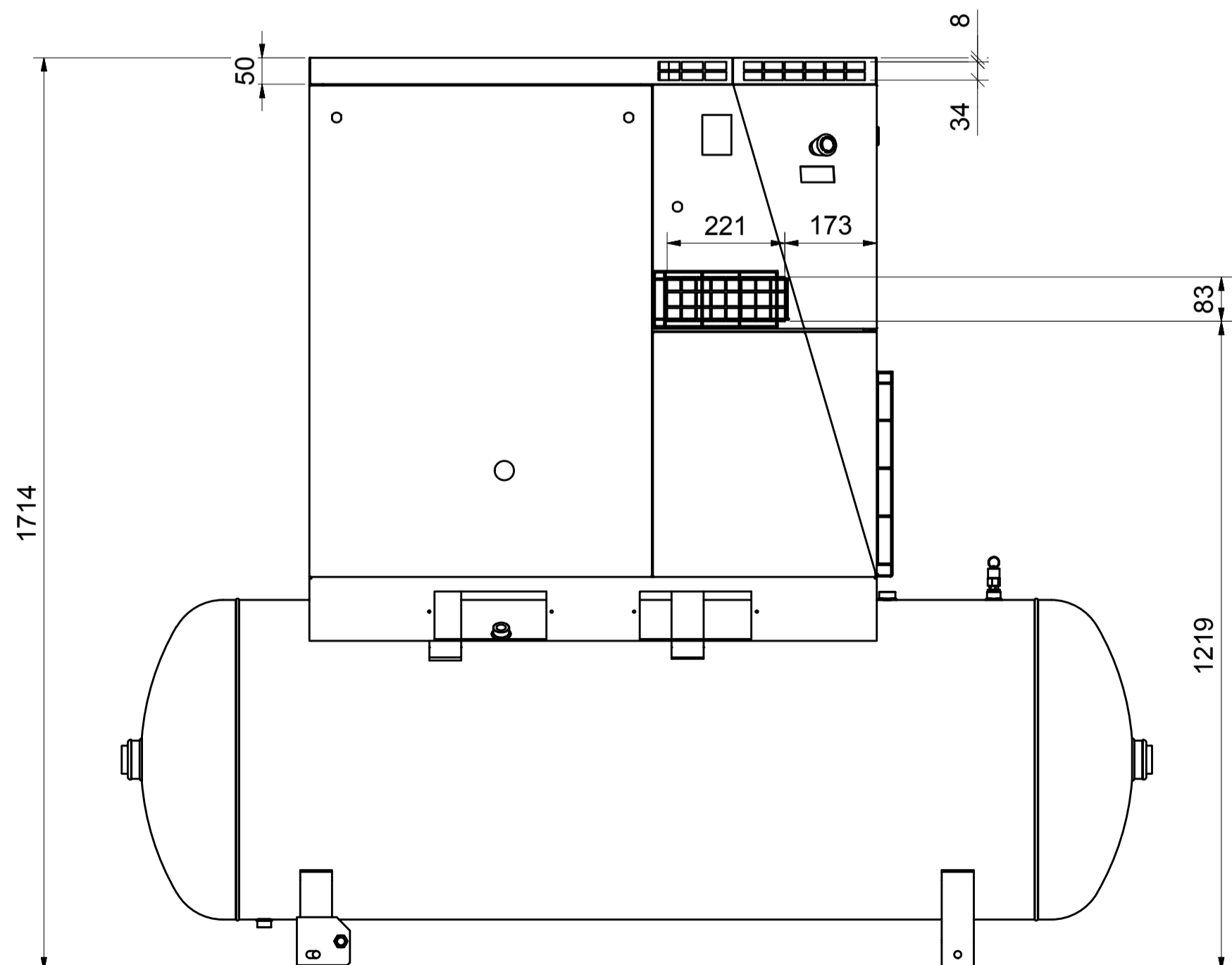
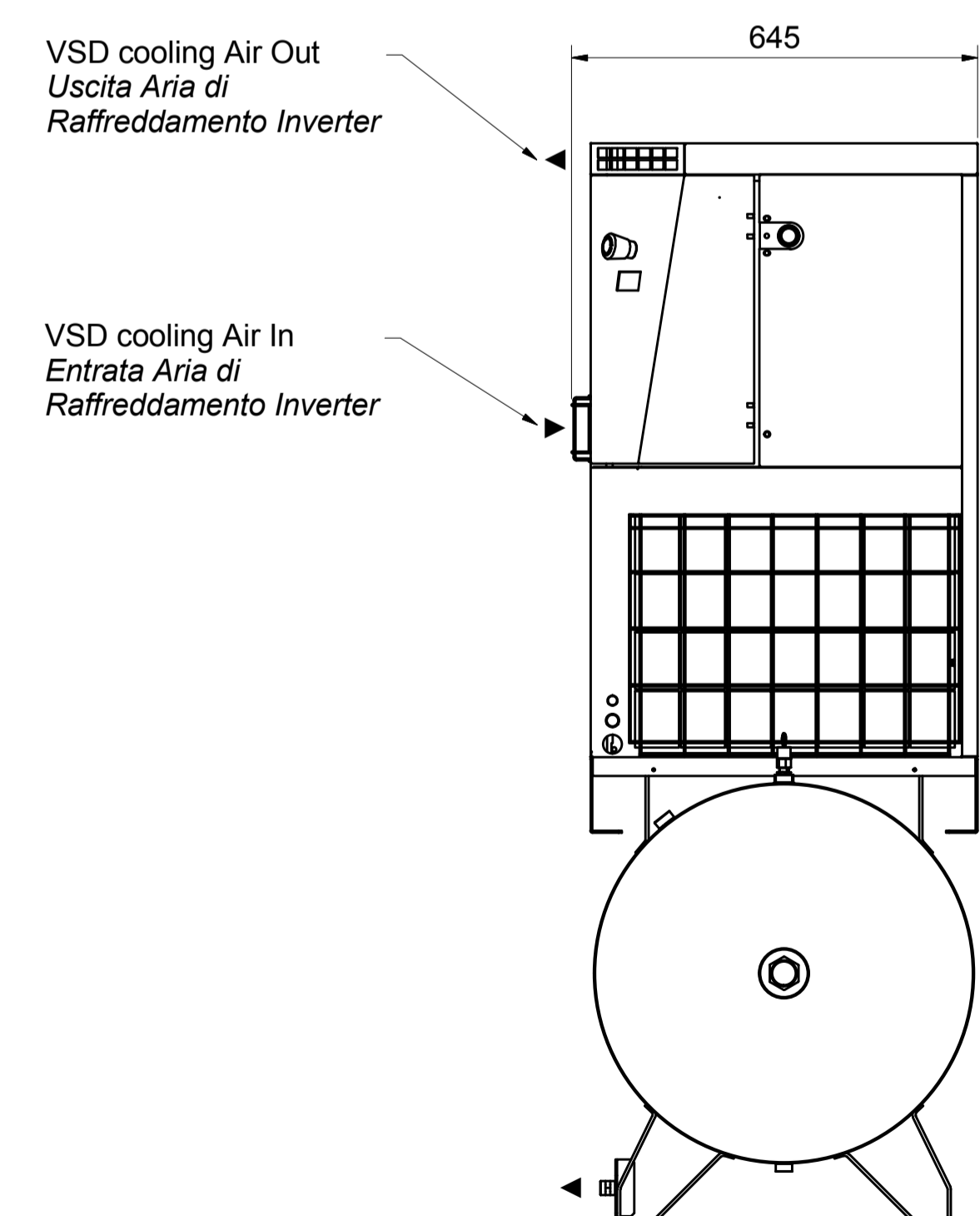
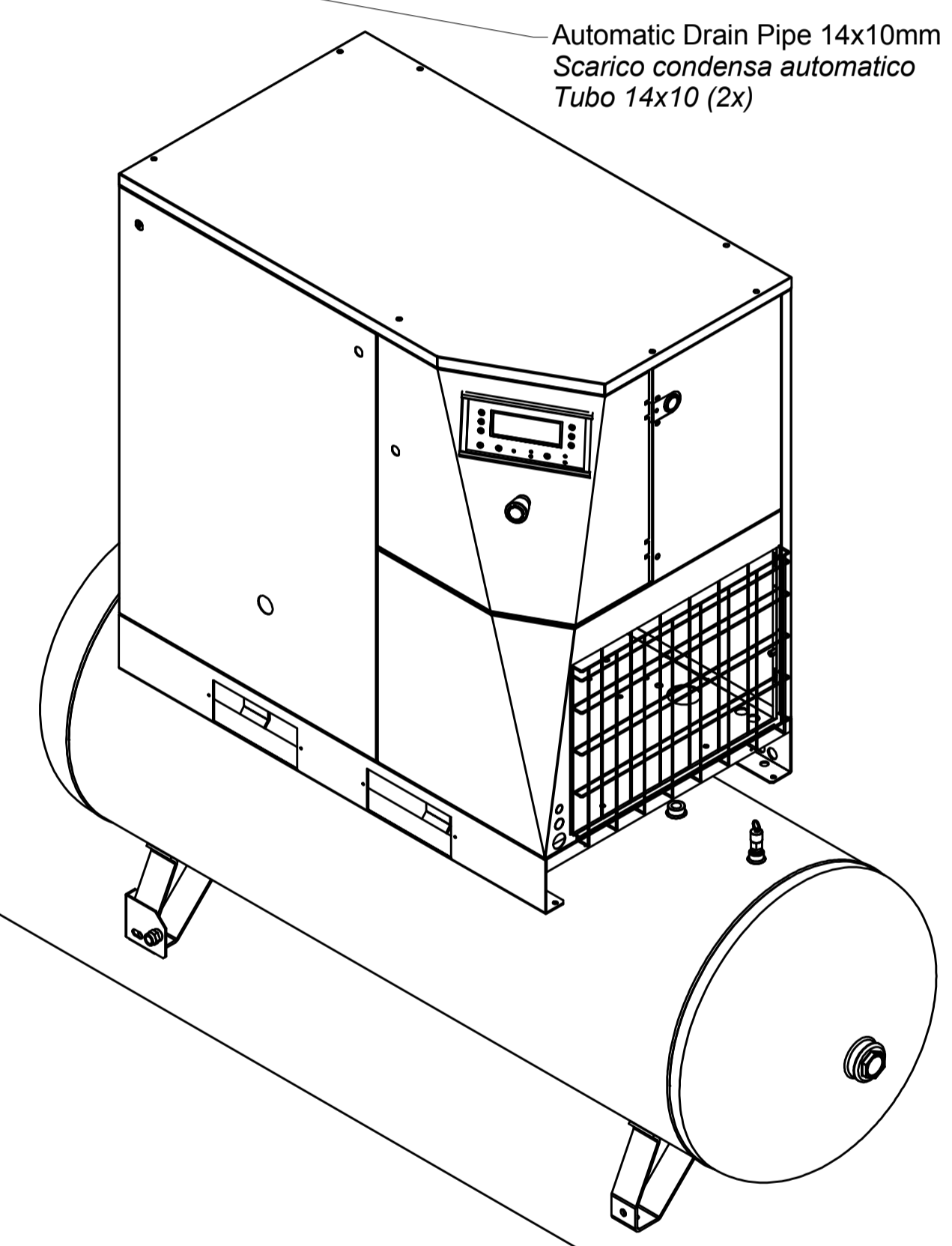


GENESIS HR on Tank 500L
 5.5kW
 7.5kW
 11kW
 15kW



**GENESIS HR on Tank 500L
 INVERTER 11kW
 (VSD)**

CONFIDENTIAL

Ed	Position	ISSUED CID 25413 - DN 14 0602 00	Gewijzigd van Modified from	Datum Date	Ingev./Goedg. Intr./Appr.
				2010-12-16	

9828083022-M1	Parent 3D model	Ed - Version 3D
---------------	-----------------	-----------------

Tolerances, if not indicated, according to:				
ATLAS COPCO STANDARD CLASS				
Name	COMPRESSOR	DOCUMENT	1102/K1 / 2	SECRETARY CLASS
Material				INV
Treatment	Not Applicable			
Scale	1:10	Family	A1	Compare
Drawn by	JAN	Blank nr.		Replaces
Version	00.01	Blank wt	0 Kg	Final wt.
Des checked.		Prod checked.		Approved.
				Date
				2010-09-23
STATUS Preliminary				Designation
				CAI
				Drawing owner
				CAI
				Sheet 1 / 1
				9828083022